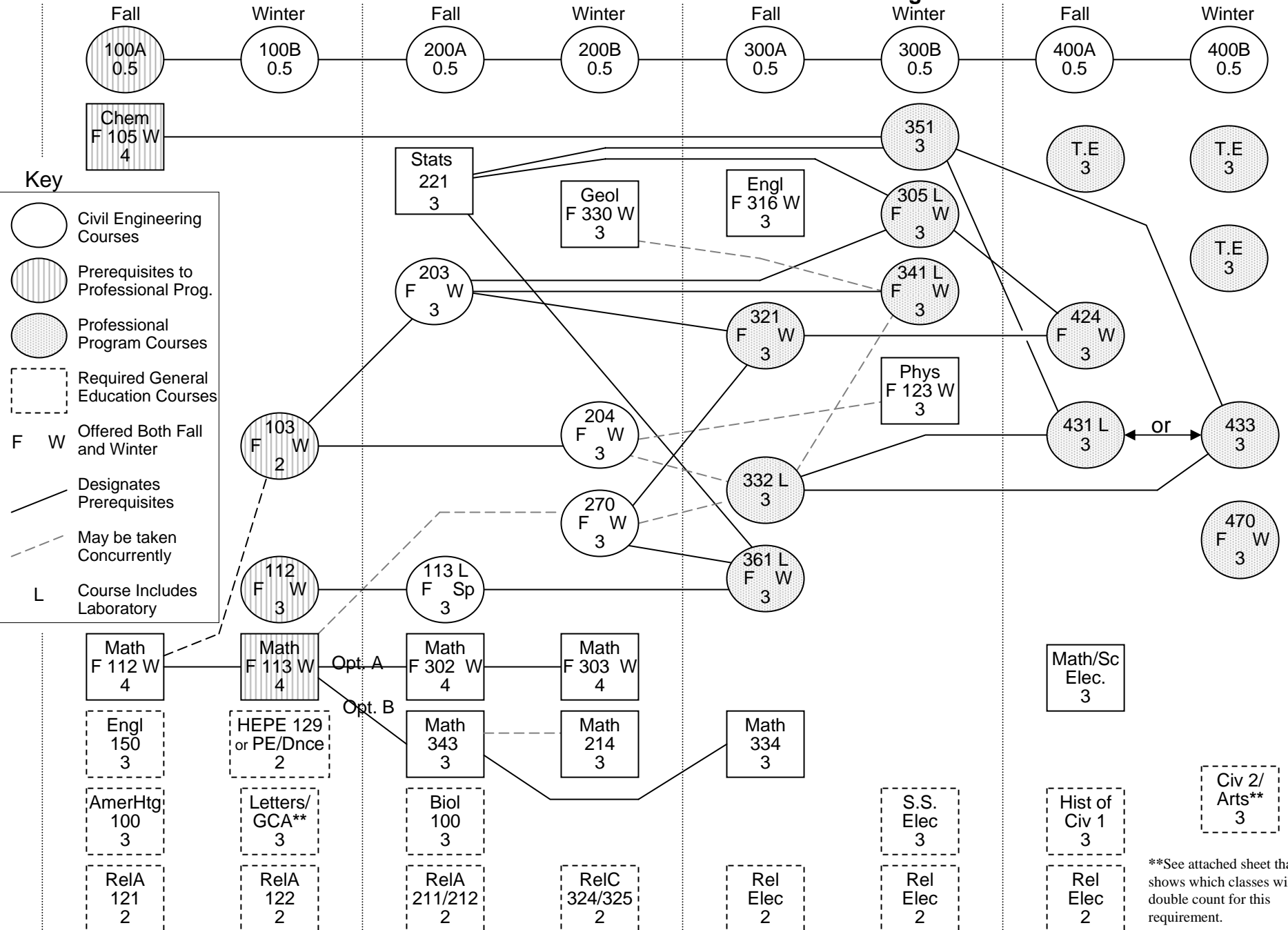


Department of Civil and Environmental Engineering 2006-07

Recommended Schedule for the Bachelor's Program



**See attached sheet that shows which classes will double count for this requirement.