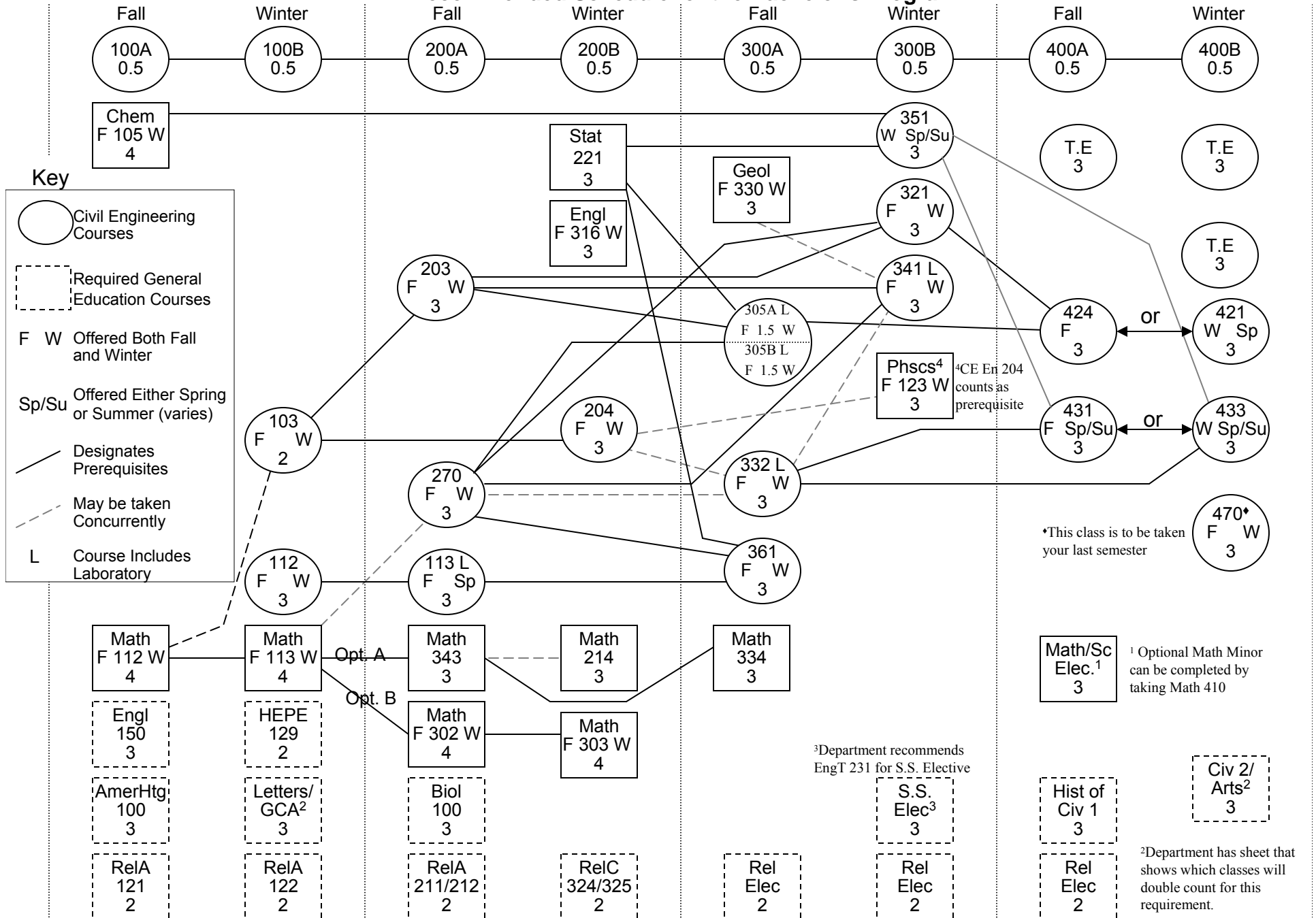


Department of Civil and Environmental Engineering 2008-09

Rev: 5/19/08

Recommended Schedule for the Bachelor's Program



Course	#	Hrs	Grd
Freshman Year:			
Fall			
CEEn	100 A	0.5	
CHEM	105	4.0	
MATH	112	4.0	
Winter			
CEEn	100 B	0.5	
CEEn	103	2.0	
CEEn	112	3.0	
MATH	113	4.0	
Sophomore Year:			
Fall			
CEEn	200 A	0.5	
CEEn	113	3.0	
CEEn	203	3.0	
CEEn	270	3.0	
MATH (Option A)	343****	3.0	
MATH (Option B)	302	4.0	
Winter			
CEEn	200 B	0.1	
CEEn	204	3.0	
STAT	221	3.0	
ENGL	316	3.0	
MATH (Option A)	214	3.0	
MATH (Option B)	303	4.0	
Junior Year:			
Fall			
CEEn	300 A	0.5	
CE En	305A	1.5	
CEEn	305B	1.5	
CEEn	332	3.0	
CEEn	361	3.0	
GEOL	330	3.0	
MATH (Option A)	334	3.0	
Winter			
CEEn	300 B	0.5	
CEEn	321	3.0	
CEEn	341	3.0	
CEEn	351	3.0	
PHYS	123	3.0	
Senior Year:			
Fall			
CEEn	400 A	0.5	
CEEn	424 or 421	3.0	
CEEn	431 or 433	3.0	
Technical Elective *		3.0	
Math/Phys Sci ***		3.0	
Winter			
CEEn	400 B	0.5	
CEEn	470	3.0	
CEEn	433 or 431	3.0	
CEEn	421 or 424	3.0	
Technical Elective *		3.0	
Technical Elective *		3.0	

DEPARTMENT of CIVIL & ENVIRONMENTAL ENGINEERING
2008-2009 Recommended Schedule for the Bachelor's Program

rev: **May 19, 2008**

The flow chart on the reverse side of this sheet shows the required curriculum leading to a bachelors degree in Civil & Environmental Engineering. The University religion and general education requirements are in addition to the courses shown. Use this chart, the "Suggested Sequence of Courses," and the "Course Scheduling Aid" to plan your program of study.

Students need to be enrolled in a **seminar** class, each semester from the time they declare a pre-professional major until they graduate. Begin with 100A and 100B then continue on in order with 200A, 200B, 300A, 300B, 400A, and 400B. You may not take two seminars at a time.

The Math 112, 113, and CEEEn 103 series represents a significant scheduling bottleneck. Completion of these courses, as soon as possible in your program of study, will greatly facilitate later scheduling. "Prerequisite" Math courses to CEEEn 103 must be taken early to avoid progress delay.

A maximum of 3.0 Technical Elective (T.E.) credits may be counted from approved courses involving study abroad or international travel, including participation in Engineers without Borders classes.

Course	#	Hrs	Grd	Description	Course	#	Hrs	Grd	Description
* Technical Electives (9.0 Credit Hours Are Required and Some May Require Prerequisites):									
CEEn	414	3.0		Engineering Applica. of GIS	CEEn	535	3.0		Hyd Dsgn Channels
CEEn	421	3.0		Strutural Steel Design	CEEn	540	3.0		Geo-Environ. Engineering
CEEn	424	3.0		Reinforced Concrete Dsgn	CEEn	542	3.0		Foundation Engineering
CEEn	429	3.0		Timber Design	CEEn	543	3.0		Earth & Rock-Fill Structures
CEEn	431	3.0		Hydrology	CEEn	545	3.0		Geotech Analy. Of E.Quake
CEEn	433	3.0		Hydraulic Engr	CEEn	547	3.0		Groundwater Modeling
CEEn	461	3.0		Geometric Highway Dsgn	CEEn	551	3.0		Water Treatment Fac. Dsgn
CEEn	500	3.0		Dsgn & Matrils Appl	CEEn	555	3.0		Environmental Chemistry
CEEn	501	3.0		Stress Anal & Dsgn	CEEn	562	3.0		Traffic Engineering
CEEn	503	3.0		Plasticity and Fracture	CEEn	563	3.0		Pavement Design
CEEn	504	3.0		Comp Struct.Analysis/Optim	CEEn	565	3.0		Trans Urban Plan
CEEn	505	3.0		Concrete Mix, Dsgn, Analy.	CEEn	570	3.0		CAE Software Dev
CEEn	506	3.0		Continuum Mech/Finite Elem	CEEn	572	3.0		Comp Geom Design
CEEn	508	3.0		Structural Dynamics	CEEn	575	3.0		Optimization
CEEn	521	3.0		Seismic Resistant Steel Bld	CEEn	580	3.0		Haz Waste Mgmt
CEEn	523	3.0		Aircraft Structures	CEEn	594R	3.0		Sel Prob in CEEEn
CEEn	524	3.0		Reinforced Concrete Bldgs.	CHEn	273	3.0		Chem Process Principle
CEEn	525	3.0		Bridge Structures	CHEn	378	3.0		Materials Science
CEEn	526	3.0		Prestressed Concrete	ECEn	301R	3.0		Elements of Elec Engr
CEEn	528	3.0		Masonry Design	MEEEn	321	3.0		Thermo / Heat / Energy
CEEn	531	3.0		Princ. Hydrologic Modeling					

*** Acceptable Math/Physical Science Courses:			
CHEM	106	3.0	General College Chem
CHEM	351	3.0	Organic Chemistry
MATH	410	3.0	Intro Num Methods
MCBIO	221	3.0	Gen Microbiology
PHSCS	220	3.0	Princ of Physics
PHSCS	222	3.0	Princ of Physics

To add a Math Minor contact the Math Dept. 422-2061.
 Complete the following courses 343, 214, 334, 410
******Please note 343 is a prereq for 214, 334, 410**

General Education Requirements			
AM HERT	100	3.0	
ARTS	--	3.0	from approved list **
LETTERS	--	3.0	from approved list **
Global (GCA)	--	3.0	from approved list **
BIOL	100	3.0	
ENGL	150	3.0	
HEPE	129	2.0	
HIST CIV I	--	3.0	from approved list
HIST CIV II	--	3.0	from approved list **
SOC SCI	--	3.0	from approved list/ recommend EngT231
REL	--	14.0	from approved list

** These classes double count - see CE office for sheet